

# KRAMER



## Installation Instructions

**MODEL:**

**KDock-6**

**USB-C 8 in 1 Docking & Laptop Stand**



P/N:



2900-301557QS

Rev:

**HDMI™**  
HIGH DEFINITION MULTIMEDIA INTERFACE



1



### SAFETY WARNING

Disconnect the unit from the power supply before opening and servicing.

For the latest information on our products and a list of Kramer distributors, visit our Web site where updates to these installation instructions may be found.

We welcome your questions, comments, and feedback.

[www.kramerAV.com](http://www.kramerAV.com)  
[info@kramerel.com](mailto:info@kramerel.com)

# Introduction

Congratulations on purchasing your Kramer **KDock-6 USB-C 8 in 1 Docking & Laptop Stand**. **KDock-6** supports HDMI and DisplayPort video outputs for Windows MST mode and MAC OS SST mode. It has 2 USB Type A ports and 1 USB-C port. It's an ideal accessory for MacBooks, laptops equipped with USB Type-C, mobile phones, and tablets.

## Features

**KDock-6** includes the following features:

- Supports HDMI and DisplayPort video outputs.
- Supports USB 5G speed connection between device (for example, keyboard, mouse and/or hard drive) and docking station.
- Supports 1Gbps Ethernet.
- Includes a 3.5 mm headset jack.
- Silicon layer over bracket panel prevents slipping of laptop/tablet or other devices.
- Bracket and dock are affixed with a magnetic suction and buckle.
- Bracket panel is designed for better heat dissipation to prevent overheating devices.

## Get to know your KDock-6

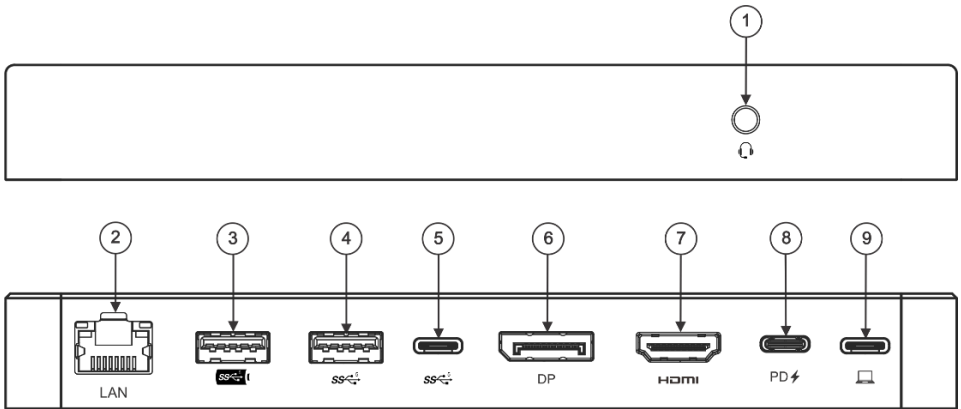


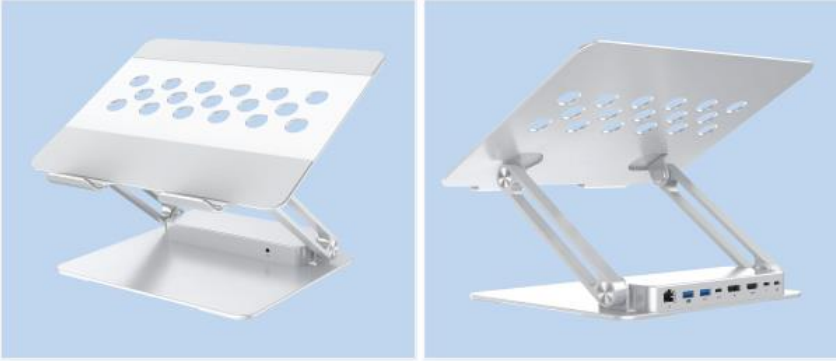
Figure 1: KDock-6 Docking Panel

#	Feature	Function
1	3.5 mm Headset Jack	Connect to Headset (audio and microphone).
2	LAN RJ-45 Port	Ethernet Port 1000 Mbps.
3	USB 5G Type-A Port	Supports USB 5Gbps speed and 5V/1.5A power output.
4	USB 5G Type-A Port	Supports USB 5Gbps speed and 5V/0.9A power output.
5	USB 5G Type-C Port	Supports 5Gbps speed, and 5V/0.9A power output.
6	DisplayPort video Output	Connect to a DisplayPort acceptor.
7	HDMI video Output	Connect to an HDMI acceptor.
8	PD Charging Input	Connect to a PD charger. Input:100W (Max).
9	USB-C Host	Connect to a USB-C port – supports DP Alt Mode and Power Delivery.

## How to Use Your KDock-6

To use your KDock-6:

1. Adjust the KDock-6 height and angle by moving the bracket.



2. Set your device on the KDock-6.
3. Connect your device to KDock-6 with a USB-C cable (included).

---

## Connect the KDock-6

Once your device is set on the KDock-6, you can connect other devices and accessories. See the illustration the [Figure 2](#) as an example.

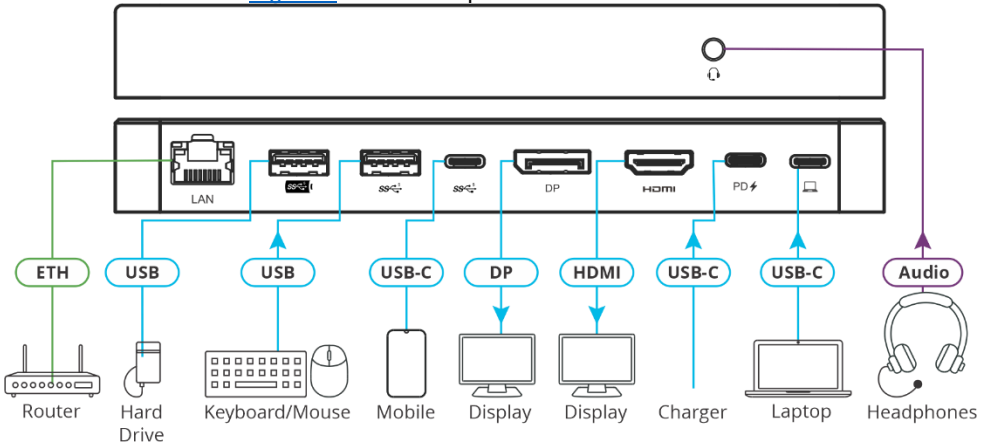


Figure 2: KDock-6 installation

# Technical Specification

Input	1 USB-C	On a USB-C connector
Outputs	1 HDMI	On an HDMI connector
	1 DP	On a DisplayPort connector
Video	Windows MST Mode Max. Resolution	3840x2160P@60Hz, when a single display is attached to the device. 3840x2160P@30Hz, when two displays are attached to the device.
	MAC OS SST Mode Max Resolution	3840x2160P@60Hz, when a single or dual display is attached to the device.
Ports	1 LAN	On an RJ-45 port (1000Mbps)
	2 USB3.0 Type A	5Gbps, one supports BC1.2
	1 USB-C	5Gbps
	1 USB-C PD3.0	100W
Audio	Stereo	On a 3.5mm mini jack
Regulatory compliance	Safety	CE, FCC
	Environment	RoSH, REACH,
Environmental Conditions	Operating Temperature	0° to +45°C (32° to 113°F)
	Storage Temperature	-20° to +70°C (-4° to 158°F)
	Humidity	10% to 90%, RHL non-condensing
Regulatory Compliance	Safety	CE, FCC
	Environmental	RoHs, REACH, WEEE
Enclosure	Type	Aluminum
General	Net Dimensions (W, D, H)	27.5cm x 25cm x 3.5cm (10.8" x 9.8" x 1.4")
	Shipping Dimensions (W, D, H)	32cm x 27cm x 5.8cm (12.6" x 10.6" x 2.3")
	Extended height	31.5cm
	Load Bearing Capacity	6kg
	Net Weight	1.1kg (2.4lbs) approx.
	Shipping Weight	1.4kg (3.1lbs) approx.

Specifications are subject to change without notice at [www.kramerav.com](http://www.kramerav.com)

The terms HDMI, HDMI High-Definition Multimedia Interface, and the HDMI Logo are trademarks or registered trademarks of HDMI Licensing Administrator, Inc.