



PUV-2606RX

HDBaseT™ to HDMI Receiver with USB Connectivity



The PUV-2606RX adopts HDBaseT™ 2.0 technology for extending uncompressed 4K and HD video, audio, Ethernet, control and power along a single Cat. 5e/6/7 cable up to 100 metres. When paired with this unit's standard transmitter, 2 switchable USB 2.0 host (Type B) connections are available (1 on the transmitter, 1 on the receiver) which can connect to devices on up to 6 USB 2.0 (Type A) ports (3 on the transmitter, 3 on the receiver) forming a highly flexible KVM extension configuration (*Note: Only 1 USB host may be active at a time*). This Receiver (PSE) can provide PoH (Power over HDBaseT) power to the connected HDBaseT Transmitter (PD) (compatible Transmitters only), This unit can be controlled via the front panel button.

PANELS

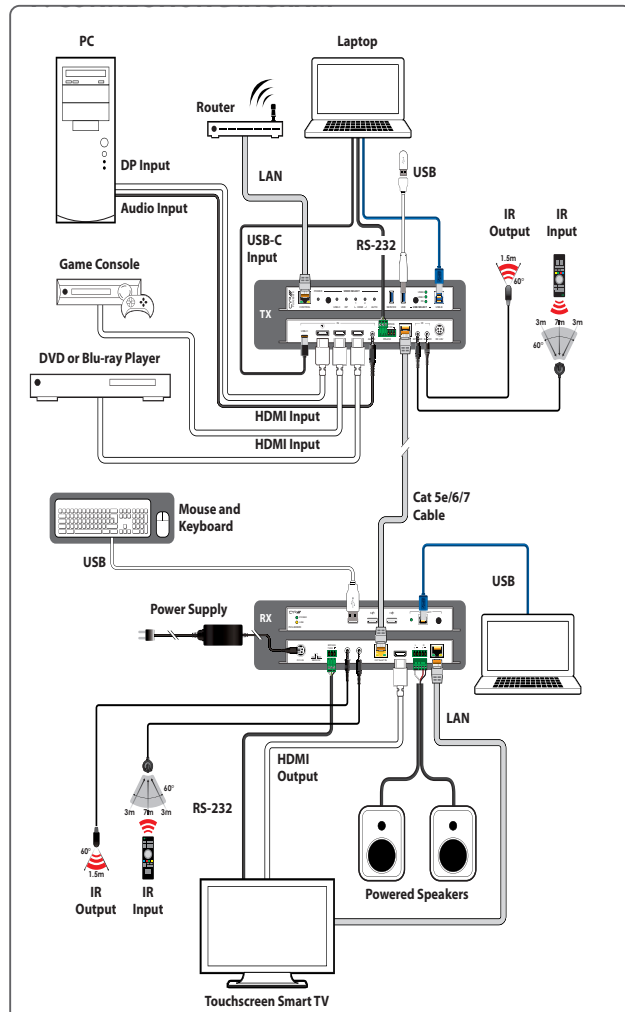


Front View



Rear View

DIAGRAM



FEATURES

- 3 USB 2.0 Type A ports and 1 USB 2.0 Type B port
- HDBaseT input receives video, audio, and data over a single Cat.5e/6/7 cable and can reach distances up to 100m/230ft at 4K when using Cat.6a/7
- HDBaseT feature support: HD Video and Audio, 100BaseT Ethernet, PoH (PSE), and control (bi-directional IR/RS-232/USB 2.0)
- Supports CEC bypass
- Reception of independent analogue stereo audio extension
- Flexible USB host selection using the front panel button
Note: Multiple USB hosts may be connected at once (up to 2 total, between the Tx and a compatible Rx unit) with a single selected host active at a time
- Supports local power, or power via PoH from Receiver (PSE) to Transmitter (PD) (compatible Receivers only)

SPECIFICATIONS

Interfaces

Input Port	1 HDBT(RJ45)
Output Port	1 HDMI (Type-A) 1 Terminal Block
Control I/O	3 USB Type-A 1 USB Type-B 1 IR Extender [3.5mm] 1 IR Blaster [3.5mm] 1 RS232 (3-pin Terminal Block) 1 LAN (RJ-45)

Video

HDMI Compliance	HDMI 2.0 (DVI 1.0)
HDCP Compliance	2.x
Input Signal Type	4K@60 YUV 4:2:0
Output Signal Type	4K@60 YUV 4:4:4

Resolutions

Maximum Input	HDBT 4096×2160p@30
Maximum Output	HDMI 4096×2160p@60

Audio

Input Signal Types	HDMI, Stereo
Output Signal Types	Stereo
HDMI OUT	LPCM (8 Channels), Bitstream, High Bit Rate Bitstream bypass

Power

Power Supply	24V/2.7A
Power Consumption	40.44W (Full load)

Enclosure

Chassis Material	Metal (Steel)
Chassis Color	Black
Dimensions (W×H×D)	231.5mm×25mm×108mm [Case Only] 231.5mm×25mm×110mm [All Inclusive]
Weight	647g

Field Firmware Update

USB Flash Drive, WebGUI

ORDERING INFORMATION

Model No.	Product Description
PUV-2606RX	HDBaseT™ to HDMI Receiver with USB Connectivity
PUV-2608TX	Multi-format Switch with HDBaseT™ Output and USB Connectivity
EL-2600V	UHD+ HDMI/DP/VGA/USB to HDMI/HDBaseT Transmitter