

1 2 3 4 5 6

A

A

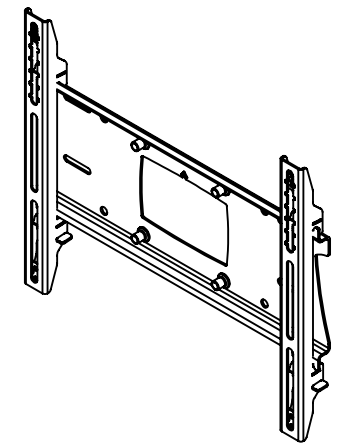
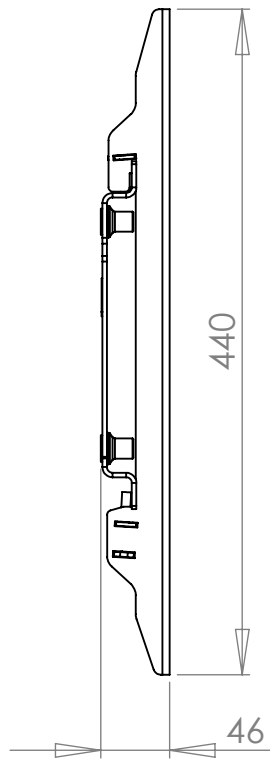
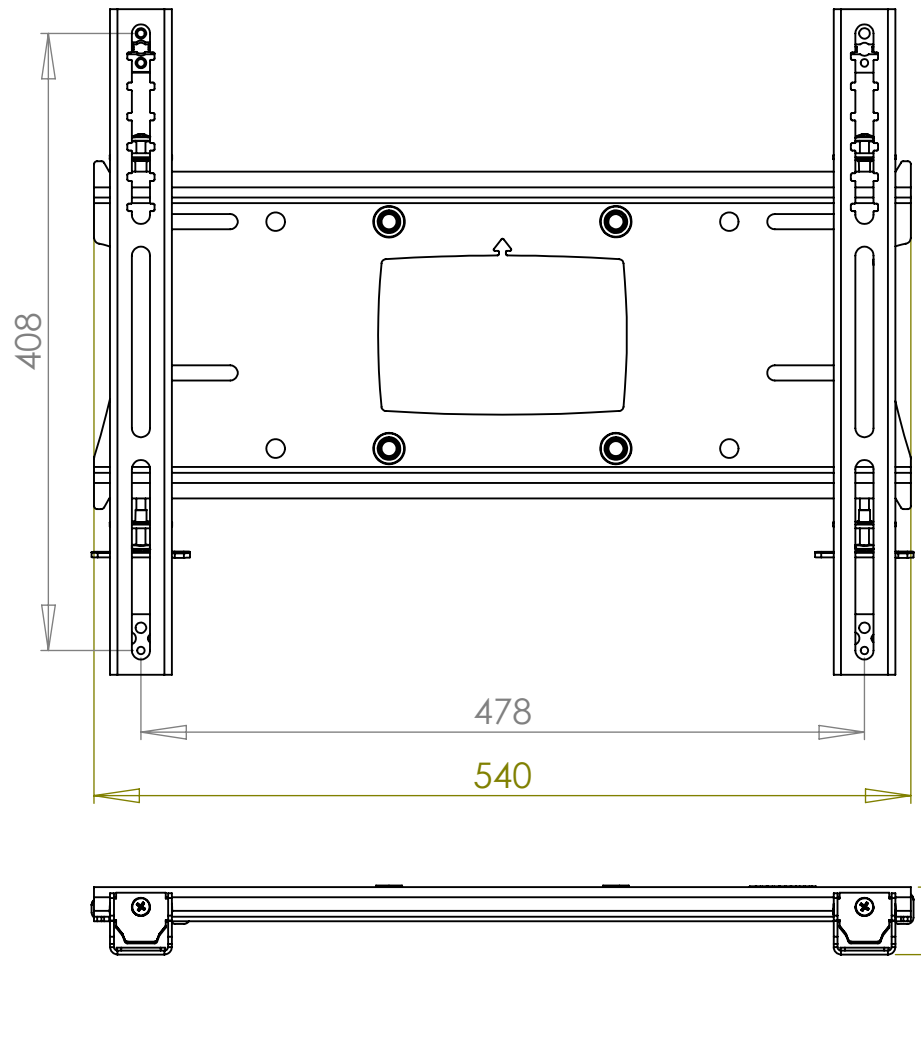
B

B

C

C

D



Description		PZX3 Pozimount Type 3 Non-Tilting		
UNLESS OTHERWISE SPECIFIED: DIMENSIONS ARE IN MILLIMETERS	Mod Date	17/04/2019	REVISION	Bend & Machine Number
	Drawn Date:	30/01/2007	H-353	
SURFACE FINISH: Powder Coated	Material		DWG NO.	pzx3
DRAWN Specials Three	Gauge			
Unicol Engineering Green Road Oxford OX3 8EU		WEIGHT: 4.14		Kg

Bend Tool

1 2 3 4 5 6

SCALE:1:5 DO NOT SCALE DRAWING SHEET 1 OF 1

A4